

# FLOW REGULATION VALVES

---

BFR SERIES



## BFR Series Flow Regulation Valves

### FEATURES

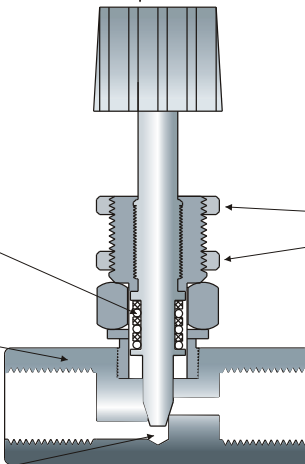
**Seal Material**  
Viton and PTFE  
(or other material)

**Body Material**  
AISI 316 stainless steel

**Handle**  
Plastic round knurled handle  
(AISI 316 S.S. on request)

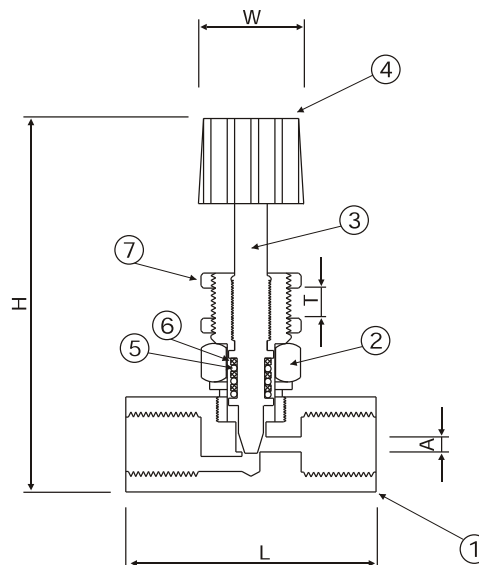
**Standard Panel Mount Nuts**  
AISI 316 stainless steel

**Integral Hard Seat**



### SPECIFICATIONS

- Bidirectional flow regulation
- From 1 to 100 % regulation range (no total closure)
- Metering valve for precision regulation
- Pressure rating up to 6000 PSI (PN 413)
- Temperature range -20°C / +180°C
- Threaded connections from 1/8" to 1/2" NPT BSPP BSPT
- NACE MR-01/75
- 94/9/CE rules (ATEX)



**MATERIAL**

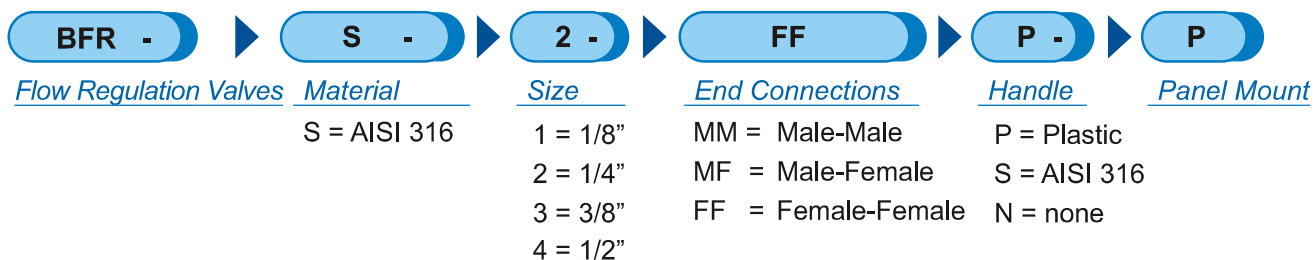
NO.	DESCRIPTIONS	
1	Body	AISI 316 S.S.
2	Bonnet	AISI 316 S.S.
3	Stem	AISI 316 S.S.
4	Handle	Plastic
5	O-Ring	Viton®
6	Back-up Ring	PTFE
7	Panel Mount Nuts	AISI 316 S.S.

**DIMENSIONS**

Model No.	Inlet x Outlet Size	End Connection	Orifice	Dimensions, mm			
				L	H	W	T
BFR-S1-MM-PP	1/8 NPT	Male-Male					
BFR-S1-FF-PP	1/8 NPT	Female-Female	3	48	60	21	5,5
BFR-S1-MF-PP	1/8 NPT	Male-Female					
BFR-S2-MM-PP	1/4 NPT	Male-Male					
BFR-S2-FF-PP	1/4 NPT	Female-Female	4	52	60	21	5,5
BFR-S2-MF-PP	1/4 NPT	Male-Female					
BFR-S3-MM-PP	3/8 NPT	Male-Male					
BFR-S3-FF-PP	3/8 NPT	Female-Female	6	64	70	21	5,5
BFR-S3MF-PP	3/8 NPT	Male-Female					
BFR-S4-MM-PP	1/2 NPT	Male-Male					
BFR-S4-FF-PP	1/2 NPT	Female-Female	7	68	75	30	5,5
BFR-S4-MF-PP	1/2 NPT	Male-Female					

Dimensions for reference only, subject to change

**ORDERING INFORMATION**





**PNEUMOIDRAULICA  
ENGINEERING**

Via dell'Edilizia, 81/83 - 36100 Vicenza (Italia)  
Tel. +39 0444 568014 - Fax +39 0444 569190  
[www.pneumoidraulica.com](http://www.pneumoidraulica.com) [info@pneumoidraulica.com](mailto:info@pneumoidraulica.com)